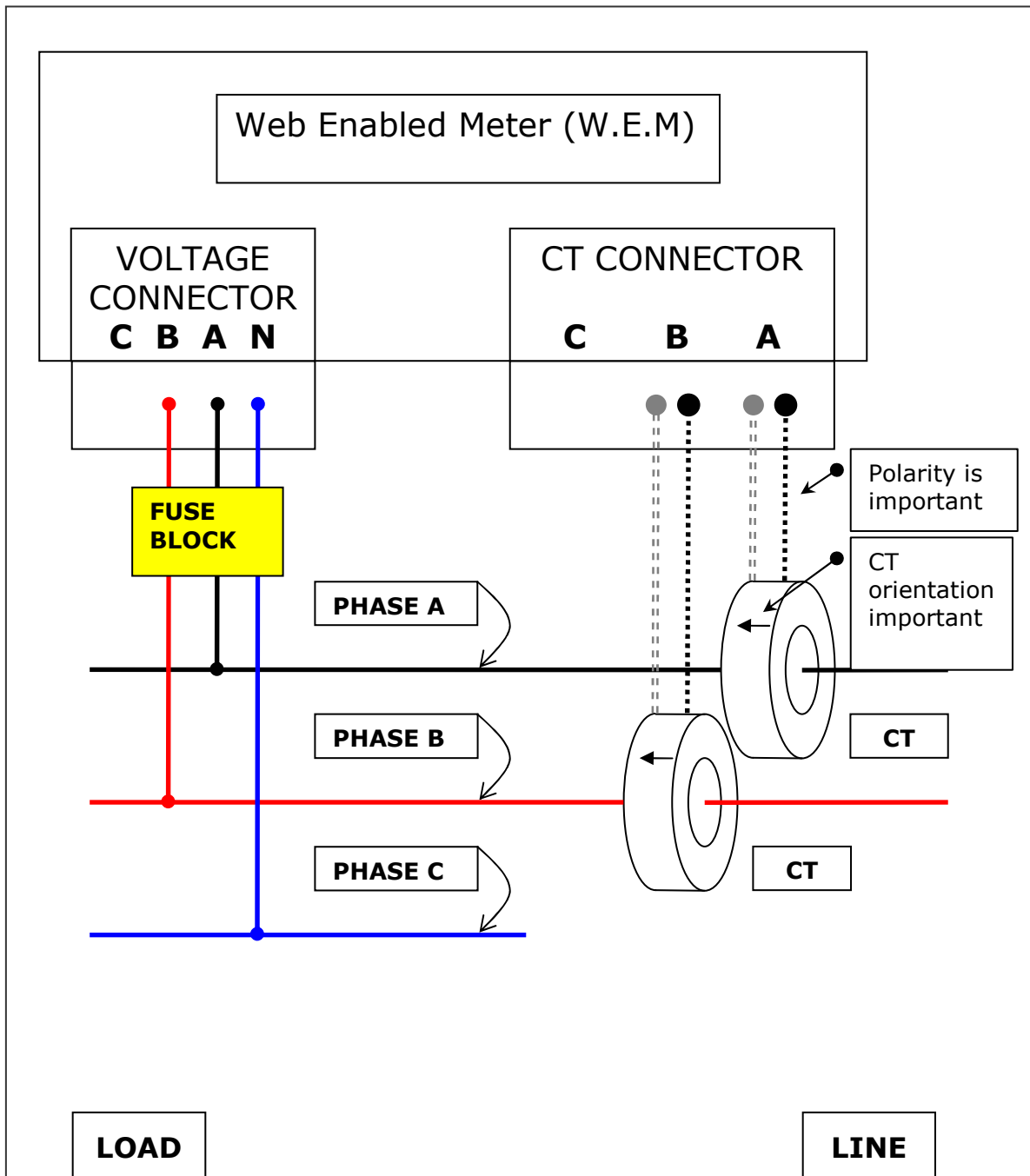


Energy Tracking, LLC.
Typical Three Phase – 3 Wire Delta Connection:



Application: Measurement of Output from Solar Inverter.